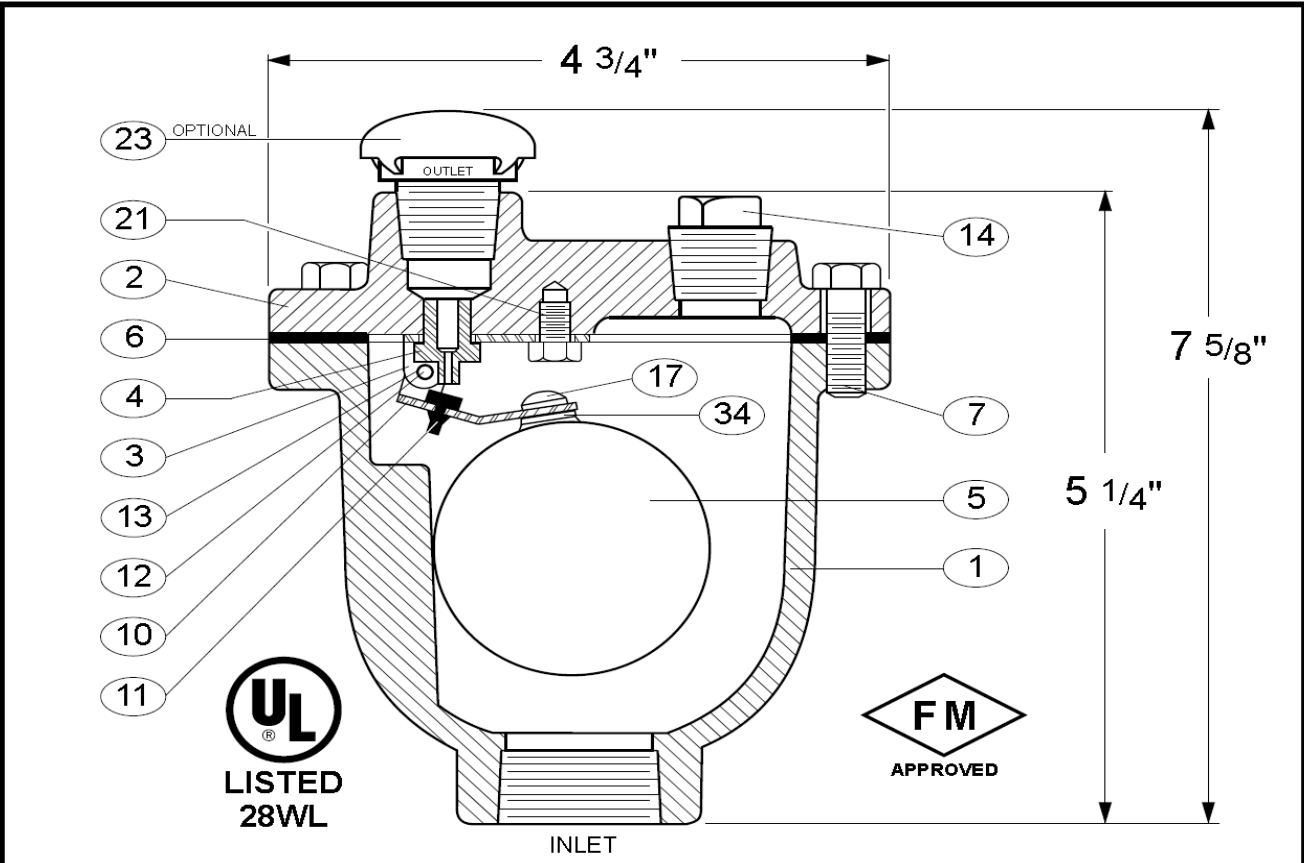


**VÁLVULA VENTOSA ( AIR RELEASE VALVE - 175 PSI )**



TEST PRESSURE  
1.5 TIMES COLD WORKING PRESSURE-CWP

SEE DRAWING NO. VM-15A-M FOR STANDARD MATERIAL OF CONSTRUCTION.

VALVE SIZE	MODEL NO. *	INLET SIZE	OUTLET SIZE	CWP P.S.I.	ORIFICE SIZE
1/2"	1/2"-15A	1/2" N.P.T.	1/2" N.P.T.	175	1/16"
3/4"	3/4"-15A.2	3/4" N.P.T.	1/2" N.P.T.	175	1/16"
1"	1" -15A.3	1" N.P.T.	1/2" N.P.T.	175	1/16"

\* ADD "H" TO MODEL NO. FOR OPTIONAL SCREENED HOOD SPK-5H.

- |    |             |    |                          |
|----|-------------|----|--------------------------|
| 1  | BODY        | 11 | ORIFICE BUTTON           |
| 2  | COVER       | 12 | PIVOT PIN                |
| 3  | LEVER FRAME | 13 | PIN RETAINER (NOT SHOWN) |
| 4  | SEAT        | 14 | PIPE PLUG                |
| 5  | FLOAT       | 17 | FLOAT RETAINER           |
| 6  | GASKET      | 21 | LOCATOR                  |
| 7  | COVER BOLT  | 23 | SCREENED HOOD            |
| 10 | FLOAT ARM   | 34 | LOCK WASHER              |

Revision 4-13-04

<b>AIR RELEASE VALVE</b>	DATE 2-23-87
<b>VAL-MATIC® VALVE AND MANUFACTURING CORP.</b>	DRWG. NO. <b>VM-15A</b>

**AIR RELEASE VALVE**

SERIES NO. 15A

STANDARD MATERIALS OF CONSTRUCTION

<u>PART NO.</u>	<u>PART NAME</u>	<u>MATERIAL</u>
1	BODY	CAST IRON ASTM A126, CLASS B
2	COVER	CAST IRON ASTM A126, CLASS B
3	LEVER FRAME	STAINLESS STEEL T316, ASTM A240
4	SEAT	STAINLESS STEEL T316, ASTM A276
5	FLOAT	STAINLESS STEEL T316, ASTM A240
6	GASKET	COMPRESSED NON-ASBESTOS FIBER
7	COVER BOLT	ALLOY STEEL SAE, GRADE 5
10	FLOAT ARM	STAINLESS STEEL T316, ASTM A240
11	ORIFICE BUTTON	VITON
12	PIVOT PIN	STAINLESS STEEL T316, ASTM A479
13	PIN RETAINER	STAINLESS STEEL PH 15-7 MO
14	PIPE PLUG	STEEL
17	FLOAT RETAINER	STAINLESS STEEL T316, ASTM F879
21	LOCATOR	STAINLESS STEEL T316, ASTM F593
34	LOCK WASHER	STAINLESS STEEL T316, ASTM A240

NOTE: ALL SPECIFICATIONS AS  
LAST REVISED.

Revised 1-29-03

<b>MATERIALS OF CONSTRUCTION</b>	DATE 2/23/87
<b>VAL-MATIC<sup>®</sup> VALVE AND MANUFACTURING CORP.</b>	DRWG. NO. VM-15A-M