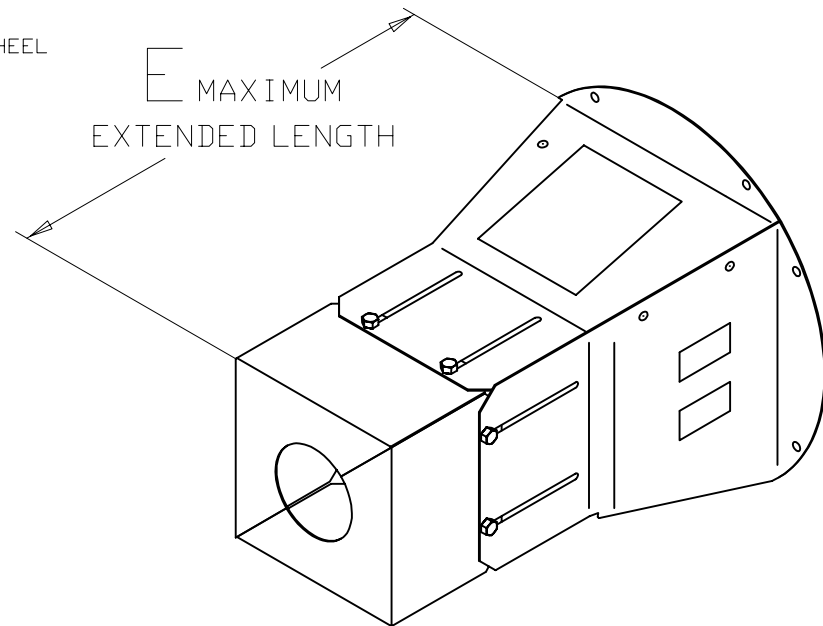
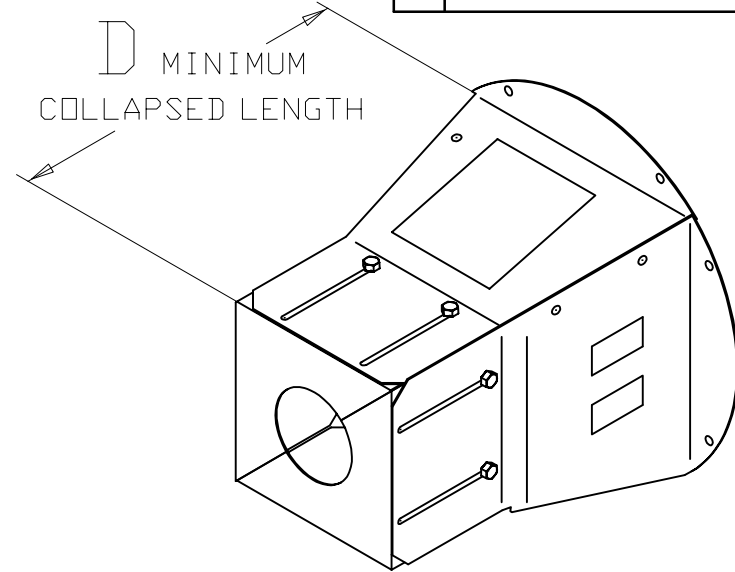
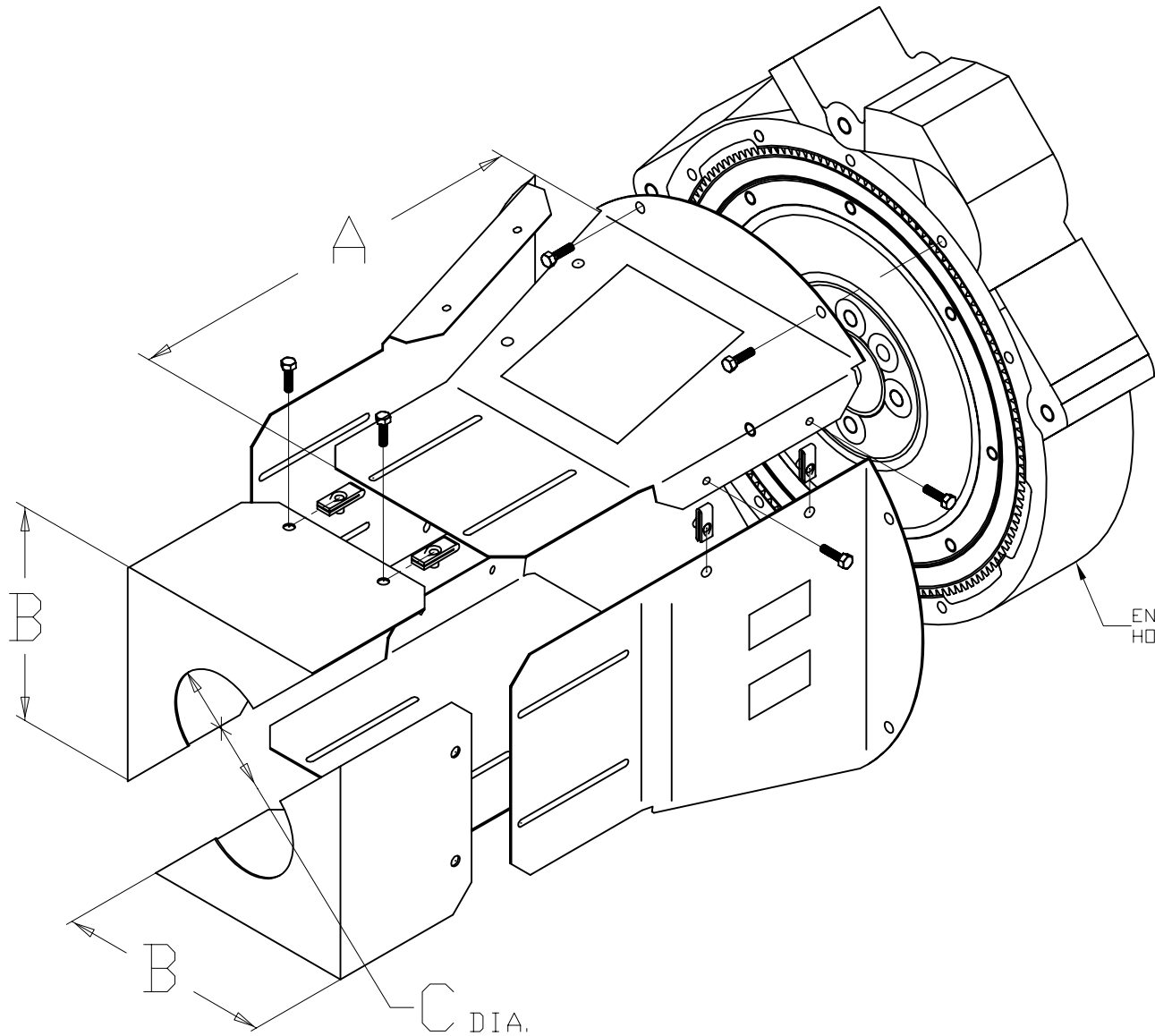


REV	DESCRIPTION	ECN#	DWN	APVD	DATE
A	ISSUED ENGINEERING DRAWING	979	JJW	KRW	31MAR06



DRIVE SHAFT KIT P/N	USED ON	DIMENSIONS					SAE FLY' HSG NUMBER
		A	B	C	D	E	
C10382	JU4H	247.7 [9.75]	222.5 [8.76]	109.5 [4.31]	296.1 [11.66]	372.3 [14.66]	#3
C10383	JU6H	381.0 [15.00]	222.5 [8.76]	109.5 [4.31]	381.8 [15.03]	505.7 [19.91]	#3
C10384	JW6H	381.0 [15.00]	222.5 [8.76]	109.5 [4.31]	381.8 [15.03]	505.7 [19.91]	#3
C10385	JX6H	475.0 [18.70]	270.0 [10.63]	125.0 [4.92]	475.0 [18.70]	619.0 [24.37]	#2

THIS DRAWING AND THE INFORMATION HEREON ARE OUR PROPERTY AND MAY BE USED BY OTHERS ONLY AS AUTHORIZED BY US. UNPUBLISHED--ALL RIGHTS RESERVED UNDER THE COPYRIGHT LAWS.

UNLESS OTHERWISE SPECIFIED TOLERANCES ARE:

DECIMAL	MM	IN
.X	±1.5	±0.06
.XX	±0.8	±0.03
.XXX	±0.25	±0.01
FRACTIONAL		
ANGULAR	±1/32	
	±5°	
SIMILAR TO	D438	

**CLARKE**  
Fire Protection Products, Inc.

CONTROLLED DRAWING

DRWN: JWQJKIEWICZ  
DATE: 31MAR06  
ENGR: KWAULIGMAN

NAME: INSTALLATION DWG. - DRIVE SHAFT/ FLYWHEEL GUARD

MATERIAL: \_\_\_\_\_

PART NO.: D556

SCALE: NTS  
UNITS: MM [ INCH ]

PAGE 1 OF 1